



Steel Drum with Polyethylene Inner Container (Composite Drum)

Composite Drum has a chemical-resistant polyethylene inner container (lining) and is available in tight head or open head types.

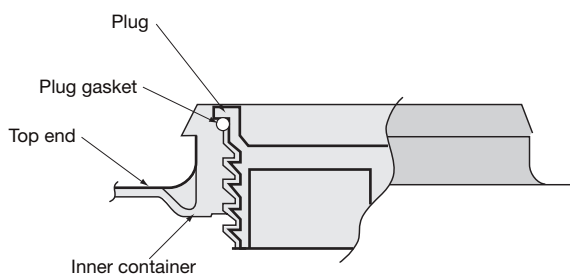
➔ Major Application

Used for highly acidic, corrosive substances, particularly for acetic acid and agricultural chemicals.

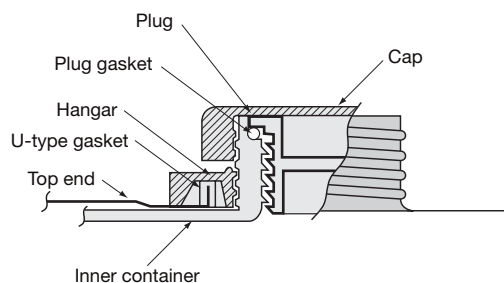
➔ Technology

- ① Inner container is blow-molded and maintains high internal cleanliness.
- ② Two types of closure system are available: Inserted Flange Type (ICI Closure Type) and Hanger Fastening Type (Screw Fastening Type)

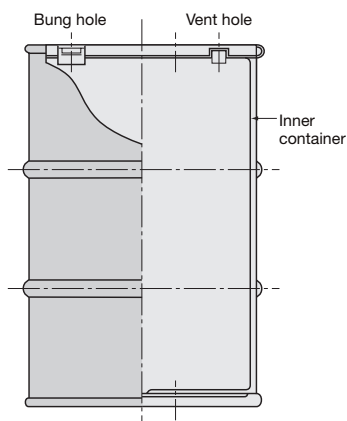
ICI Closure Type



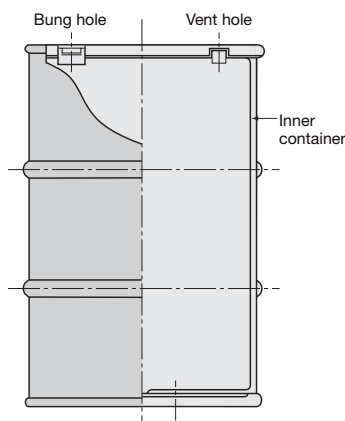
Screw Fastening Type



Tight Head Type



Open Head Type with external closures



Full Open Type

